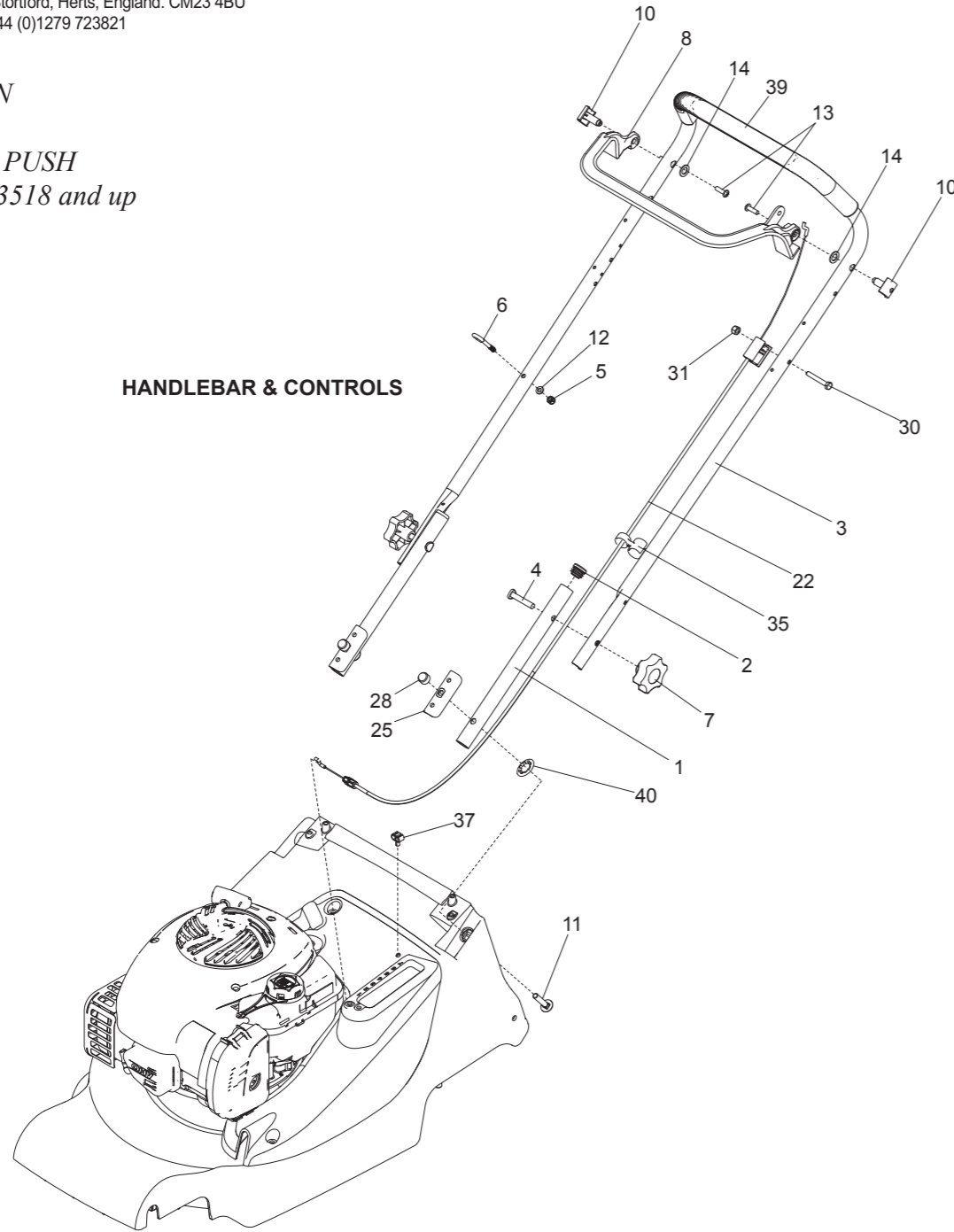


Original Version: EN
Issue : 14/12.16
Codes: CODE374A, PUSH
From Serial: 400103518 and up

Harrier 41 - Spare Parts List

HANDLEBAR & CONTROLS



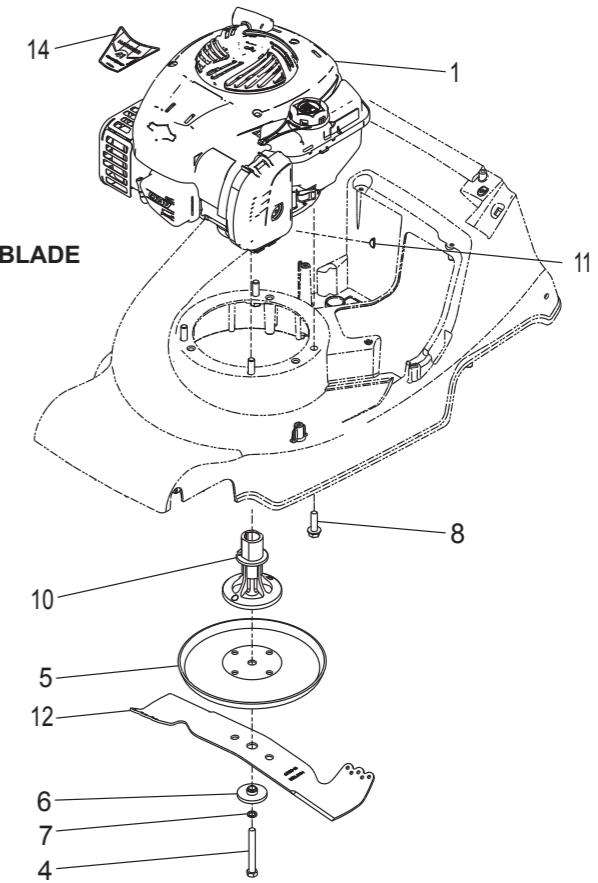
HANDLEBAR & CONTROLS

Item No	Description	Part No.	QTY	Item Note
1	HANDLEBAR LOWER	111-9837-03	2	
2	PLUG-TUBE	300160	2	
3	UPPER HANDLEBAR	111-9947-03	1	
4	BOLT-HANDLEBAR	HY226024	2	
5	NUT-NYLOC	09544	1	
6	GUIDE-ROPE	305093	1	
7	KNOB-HANDLEBAR	480088	2	
8	LEVER-ENGINE	340179	1	
10	PIN-PIVOT	340182	2	
11	BOLT-COACH	09379	2	
12	WASHER-PLAIN	09472	1	

HANDLEBAR & CONTROLS

Item No	Description	Part No.	QTY	Item Note
13	SCREW	09687	2	
14	WASHER-NYLON	09688	2	
22	CABLE ENGINE BRAKE	111-9441	1	
25	PLATE-CLAMP, HANDLEBAR	340028	2	
28	CAP-NUT	HY234051	2	
30	BOLT	05010	1	
31	NUT-LOCK	3296-42	1	
35	GUIDE-CABLE	114-7988	1	
37	TWIN CONDUIT CLIP	111-8696	1	
39	HANDLE, SOFT GRIP	111-8716	1	
40	GRIP-FIX	04020	2	

ENGINE & BLADE

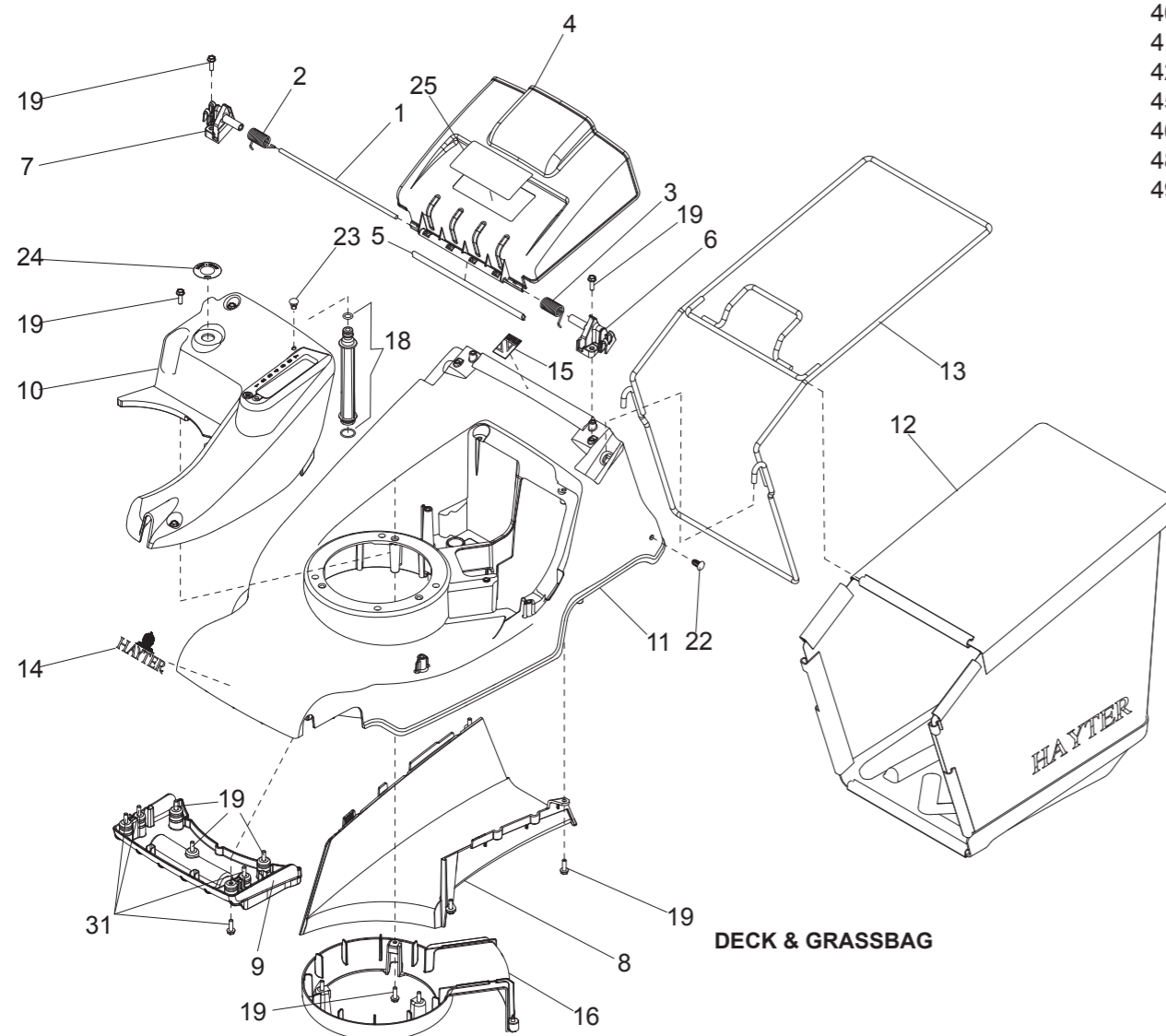


ENGINE & BLADE

Item No	Description	Part No.	QTY	Item Note
1	ENGINE	111-5435	1	
4	BOLT	111-9723	1	
5	DISC-FRICTION	410057W	1	
6	SPACER-DISTANCE, CUTTERBAR	HY4014	1	
7	WASHER-SPRING	09273	1	
8	SCREW-TAPTITE	09349	3	
10	BOSS, AUTODRIVE	131-4341	1	
11	KEY-WOODRUFF	1662	1	
12	CUTTERBAR	111-8567	1	
14	DECAL-HARRIER 41 PUSH	111-9429	1	

DECK & GRASSBAG

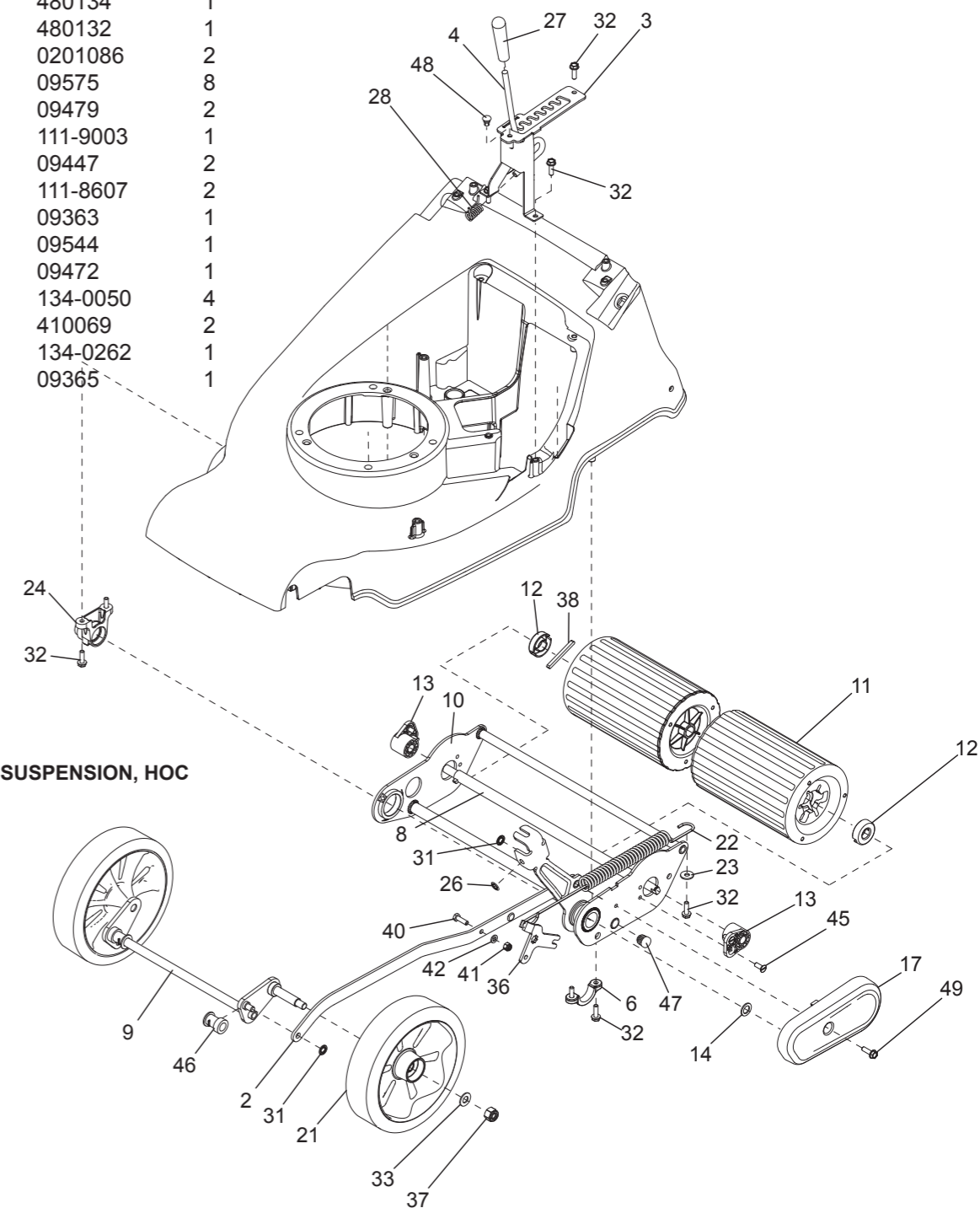
Item No	Description	Part No.	QTY	Item Note
1	DEFLECTOR ROD	111-8545	1	
2	DEFLECTOR SPRING RIGHT	111-8544	1	
3	DEFLECTOR SPRING LEFT	111-8543	1	
4	REAR DEFLECTOR	111-8539	1	
5	REAR DEFLECTOR SEAL	111-8540	1	
6	DEFLECTOR MOUNT LEFT	111-8541	1	
7	DEFLECTOR MOUNT RIGHT	111-8542	1	
8	THROW PLATE	111-8537	1	
9	FRONT FIN	111-8536	1	
10	TOP TRIM	111-8538	1	
11	HARRIER 41 DECK	111-8535-08	1	
12	FABRIC GRASSBAG 41	111-8549	1	
13	FRAME GRASSBAG 41	111-8558-03	1	
14	LOGO-HAYTER	134-0051	1	
15	MADE IN BRITAIN DECAL	111-7722	1	
16	BLADE BLOCKING WALL	111-8578	1	
18	WASHPORT ADAPTER ASSEMBLY	111-8659	1	
19	SCREW M6 X 16 TAPTITE HEX HD	09365	21	
22	PLASTIC FIR TREE RIVET	111-9831	2	
23	FASTENER-DRIVE	341033	1	
24	DECAL-EASY WASH	111-9937	1	
25	DECAL - SAFETY PETROL	134-0400	1	
31	SCREW TAPTITE 20-6	09575	4	



DECK & GRASSBAG

TRACTION, SUSPENSION, HOC

Item No	Description	Part No.	QTY	Item Note
2	CONNECTING ROD WA	111-9459	1	
3	HOC TOWER ASSEMBLY	111-8675	1	
4	LEVER - HOC	111-8705	1	
6	REAR AXLE SUPPORT	111-8670	1	
8	ROLLER SHAFT	111-8601	1	
9	FRONT AXLE ASSEMBLY	111-8673	1	
10	REAR AXLE FRAME ASSEMBLY	111-8663-03	1	
11	ROLLER HALF ASSEMBLY	111-8598	2	
12	SPACER, REAR ROLLER - PUSH	111-9720	2	
13	BEARING	134-0049	2	
14	THRUST WASHER	111-8216	1	
17	CHAIN GUARD	111-8546	1	
21	WHEEL	111-8858	2	
22	SPRING-COUNTER BALANCE	410050	1	
23	WASHER	09263	1	
24	REAR FRAME BEARING MOUNT	111-8576	1	
26	GRIP-FIX	04020	1	
27	KNOB-HOC	480134	1	
28	SPRING-TORSION, HOC	480132	1	
31	WASHER-STARLOCK	0201086	2	
32	SCREW-TAPTITE	09575	8	
33	WASHER-PLAIN	09479	2	
36	SPRING LOAD LEVER	111-9003	1	
37	NUT (M10*1.5 NYL INS)	09447	2	
38	DRIVE KEY	111-8607	2	
40	SCREW-HH	09363	1	
41	NUT-NYLOC	09544	1	
42	WASHER-PLAIN	09472	1	
45	SCREW-TAPTITE	134-0050	4	
46	BEARING-AXLE, FRONT	410069	2	
48	PUSH RIVET - PLASTIC	134-0262	1	
49	SCREW TAPTITE HEX HD	09365	1	



TRACTION, SUSPENSION, HOC