



# HAYTER

MAKERS OF THE FINEST MOWERS

Hayter Ltd. Spellbrook, Bishop's Stortford, Herts, England. CM23 4BU  
Tel: +44 (0)1279 723444 Fax: +44 (0)1279 723821

## *Scarifier-Spare parts list*

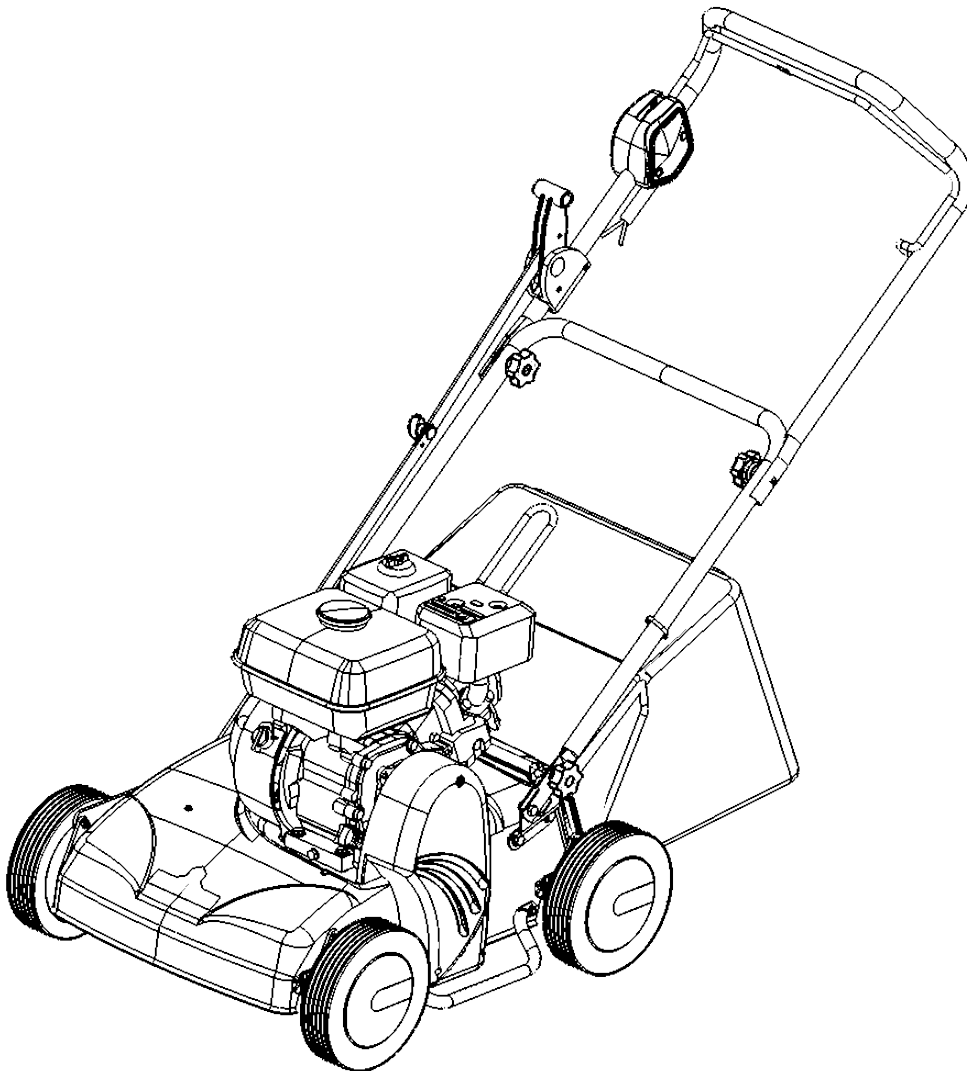
*Original Version: EN*

*Issue:13/12/17*

*Codes: 110J*

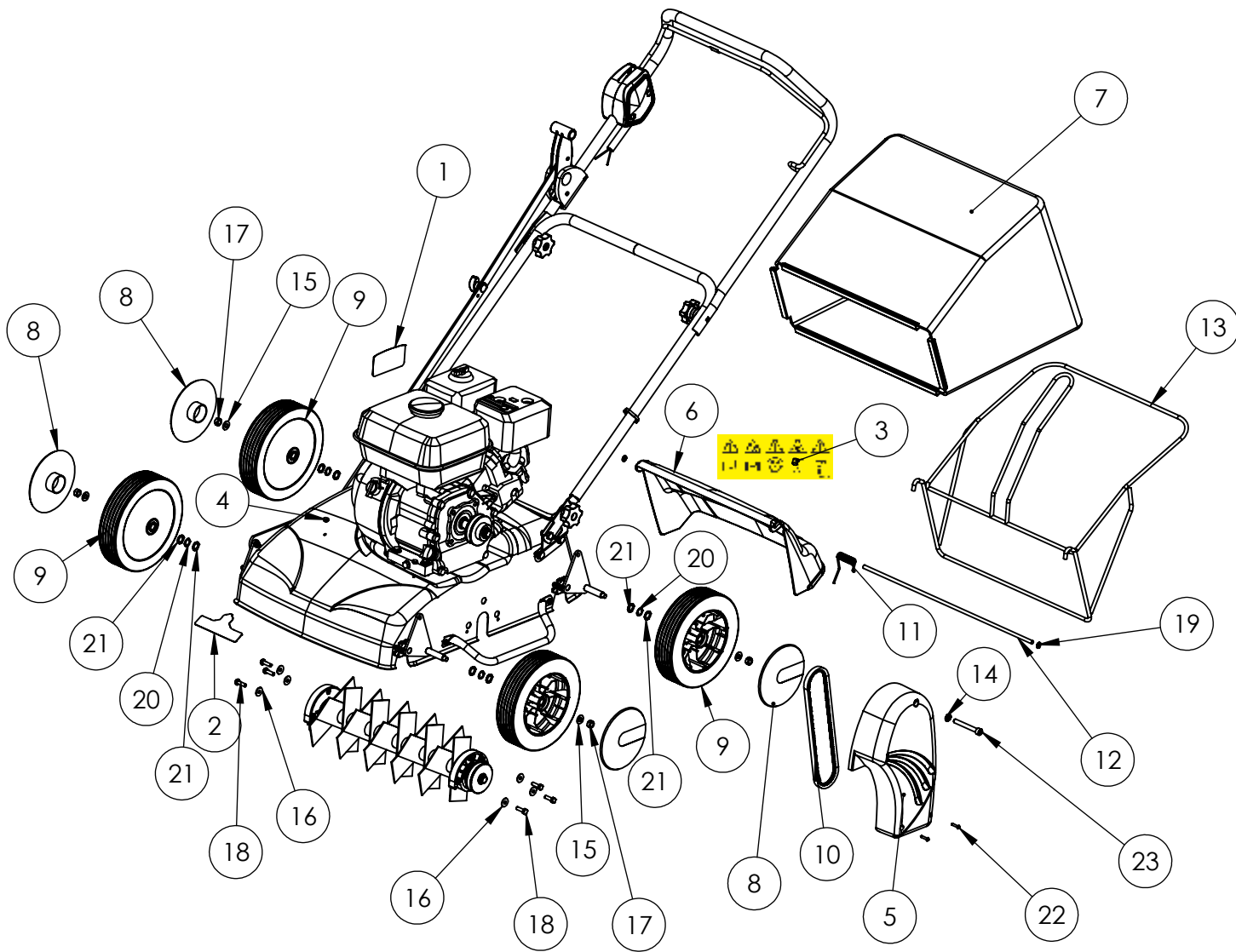
*From serial: 318000101 and up*

*Form No.111-8391 B*

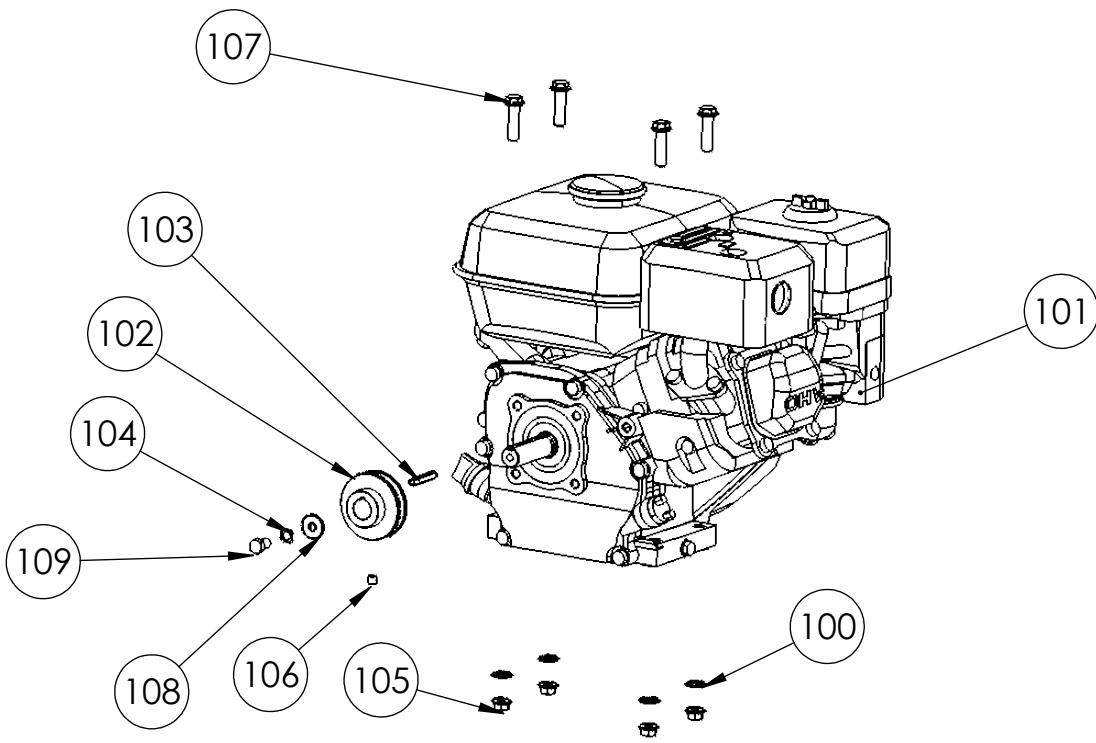


*Register at [www.Hayter.co.uk](http://www.Hayter.co.uk)*

CE

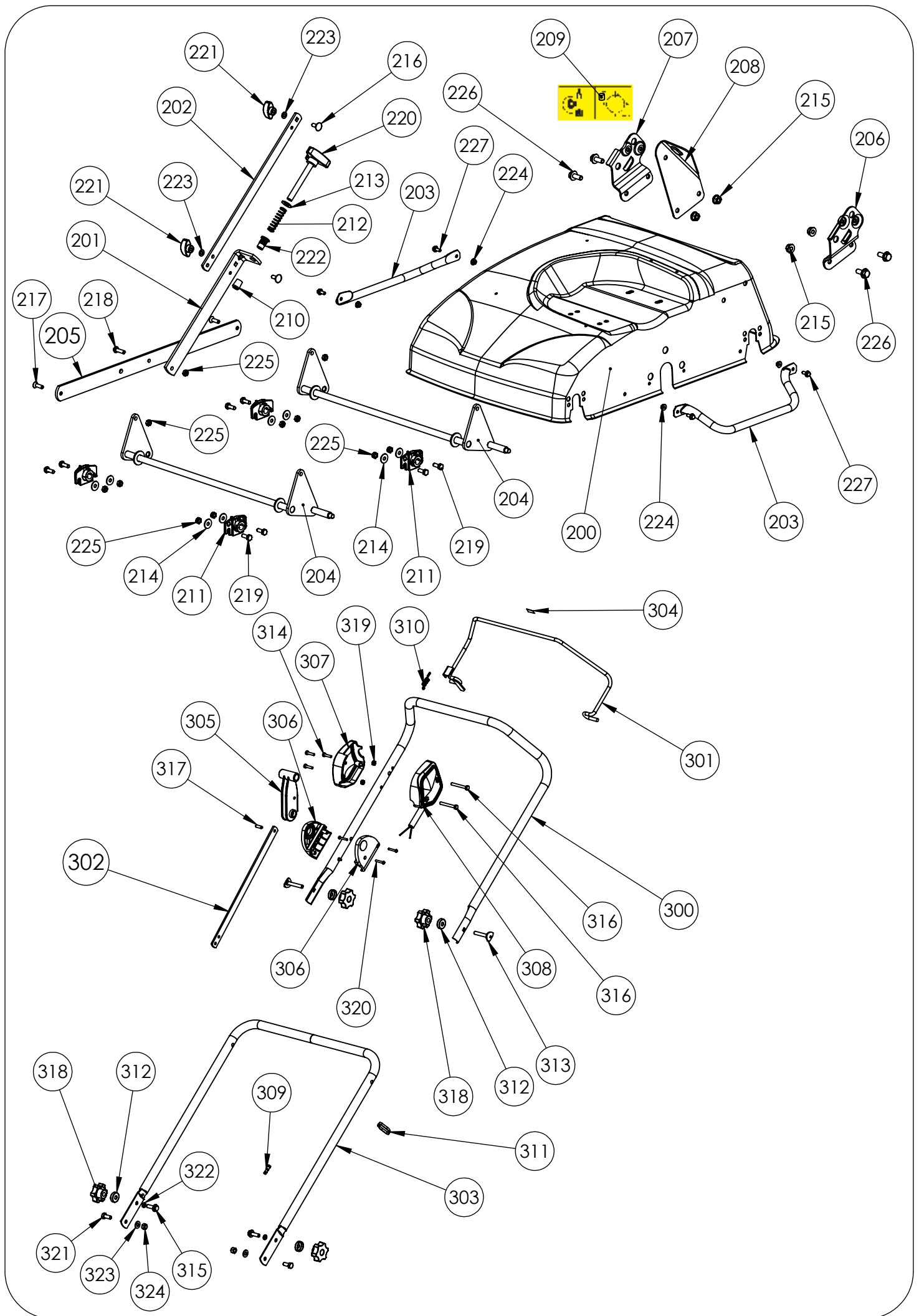


注意：刀片安装方向  
 刀片安装方向

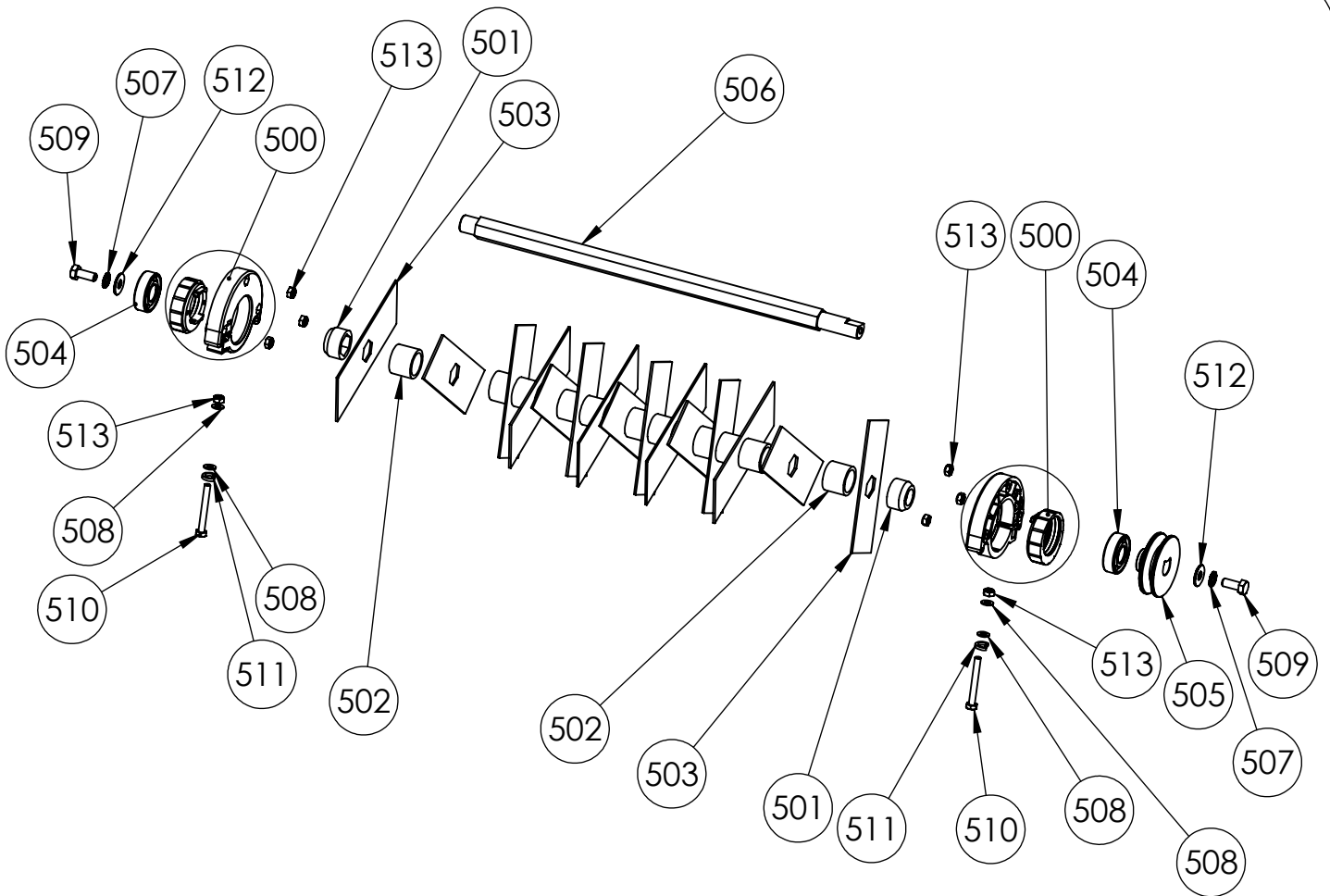


Item No	Part No.	Description	QTY
1	111-7507	DECAL ENGINE	1
2	410087	DECAL HAYTER LOGO	1
3	111-7531	SAFETY STICKER	1
4	111-7515	CAP Ø8	3
5	111-4623	BELT COVER	1
6	111-4629	FLAP SCARIF 38	1
7	111-4649	GRASS BAG	1
8	111-7519	WHEEL COVER-GREY -RAL 7024	4
9	111-7518	WHEEL Ø 200	4
10	111-4600	BELT XPZ0637	1
11	111-4630	SPRING FOR BACK SHUTTER	1
12	111-4627	AXLE FOR BACK SHUTTER	1
13	111-4635	FRAME	1
14	111-4643	WASHER AZ 8	1
15	111-4620	WASHER 18 X 8 X 1.5	4
16	111-4592	WASHER 18 X 6.25 X 1.2 ZN	6
17	111-4621	NUT HU M8	4
18	111-4591	SCREW TH 6 x 20	6
19	111-4628	CLAW WASHER Ø7	2
20	111-7573	WASHER WAVY	4
21	09280	SHIM 12X18X1	8
22	111-4593	SCREW 3.9 x 19	2
23	111-4624	SCREW UNF CHC 5/16 x 2"1/2	1

Item No	Part No.	Description	QTY
100	111-7642	WASHER MOTOR	4
101	111-7574	BS 550 SERIES *	1
102	111-8454	PULLEY	1
103	111-4594	KEY 4.76 X 4.76 X 37	1
104	111-4643	WASHER AZ 8	1
105	09741	NUT H M8 NOTCHED SHOULDER	4
106	111-4595	SCREW STHC 6 X 8	1
107	111-7643	SCREW HM 8x35 notched shoulder	4
108	111-4601	FENDER WASHER 8x22x1.5 ZN	1
109	111-4598	SCREW UNF 5/16 x 5/8"	1



Item No	Part No.	Description	QTY
200	111-8370	GREEN DECK	1
201	111-8373	BLACK LOWER LIFTING BAR	1
202	111-8388	BLACK MIDDLE LIFTING BAR	1
203	111-7526	BLACK SIDE PROTECTION	2
204	111-4617	BLACK AXLE	2
205	111-8372	BLACK LIFTING AXLE BAR	1
206	111-4631	BLACK LEFT HANDLEBAR SUPPORT	1
207	111-4632	BLACK RIGHT HANDLEBAR SUPPORT	1
208	111-8371	BLACK STOP HEIGHT ADJUSTMENT	1
209	111-8387	HEIGHT SETTING STICKER	1
210	111-8377	PLASTIC CAP	1
211	111-4616	BEARING AXLE	4
212	111-8375	HEIGHT ADJUST SPRING	1
213	33095-00	PLATE WASHER 10 x 20 x 2	1
214	111-4592	WASHER 18 X 6.25 X 1.2 ZN	8
215	09741	NUT H M8 NOTCHED SHOULDER	4
216	111-8384	SCREW TRCC 6 x 16	2
217	111-4646	SCREW TF HC M6 x 20 10.9	2
218	111-4591	SCREW TH 6 x 20	1
219	111-4615	SCREW HM 6 x 16	8
220	111-8374	HEIGHT LEVEL ADJUSTMENT M10	1
221	111-8385	KNOB M6	2
222	111-8376	INSERT M10	1
223	111-8386	TOOTH LOCKWASHER 6Z	2
224	111-7647	NUT H M5 Z NOTCHED SHOULDER	4
225	111-4597	BLOCKING NUT M 6 Z	11
226	100.021.963	SCREW H M8X20 Z	4
227	111-7646	SCREW H NOTCHED SHOULDER 5x12	4
Item No	Part No.	Description	QTY
300	111-8378	BLACK UPPER HANDLE	1
301	H290239	SWITCH CONTROL LEVER	1
302	111-8379	BLACK SUPERIOR LIFTING BAR	1
303	111-8389	BLACK LOWER HANDLE	1
304	H295159	DECAL STOP	1
305	111-8381	HANDLE LIFT HEIGHT	1
306	111-8380	LEVEL SUPPORT	2
307	111-1816	LEFT SWITCH BOX	1
308	111-2054	RIGHT SWITCH BOX + CABLE	1
309	111-0308	RED FEMALE TERMINAL	1
310	111-1773	SWITCH SPRING	1
311	HY3966	TIE-CABLE	3
312	111-4638	RING WHEEL HANDLEBAR	4
313	111-7644	SCREW TP PLI22 M8 X 50/27 ZN	2
314	09765	PLASTIC SCREW M5 x 22	3
315	111-7645	SCREW H NOTCHED SHOULDER 8 X 25	2
316	ZDH1F050U	SCREW TH 6 x 50	2
317	111-8382	COTTER PIN 6 x 18	1
318	111-4637	HANDLE WITH NUT M8	4
319	111-4597	BLOCKING NUT M 6 Z	2
320	111-0100	SCREW TBC PLASTIC 4 x 25	4
321	111-4626	SCREW HM 8 x 20	2
322	134-2545	SPACER,PLASTIC 8.2 x 12 x 3	2
323	111-4620	WASHER 18 X 8 X 1.5	2
324	09441	NUT,NYLOC M8	2



Item No	Part No.	Description	QTY
500	111-7513	BUSHING + BEARING HOUSING	2
501	111-4602	HEXAGONAL ROTOR SPACER	2
502	111-4605	SPACER ROTOR	14
503	111-4604	KNIVES	15
504	111-4590	BEARING 6203 2 RS	2
505	111-4599	PULLEY	1
506	111-4603	ROTOR AXLE	1
507	111-4643	WASHER AZ 8	2
508	111-4607	WASHER 6 x 12 x 1.2 ZN	4
509	111-4626	SCREW HM 8 x 20	2
510	ZDH1F050U	SCREW TH 6 x 50	2
511	09474	Washer Grower M6	2
512	111-4601	FENDER WASHER 8x22x1.5 ZN	2
513	111-4597	BLOCKING NUT M 6 Z	8